



Ghost is a unique optical lighting system designed to disappear in a narrow 1" slot. The optics are deeply regressed to give the impression of a slim void and the mud flange provides a trimless integration in gypsum ceilings, also available with trim option. Ghost relies on indirect light reflectors and double focus lens technology to achieve glare-free optics. It offers an infinite number of optical iterations allowing transitions from a fixed downlight to an adjustable downlight, to a single wallwash and even to a double wallwash. All these optics are integrated into a compact slot for an outstanding quiet lighting effect.

- Discreet and regressed source of light
- UGR <10
- Multi-Optics configurations
- Fixed Downlight, Wallwash, and Adjustable Accent from a 30mm Slot
- Unobstructed complete beams even with 40° tilt
- Powers are 16W/ft for the Double Washer and 8W for both the Adjustable and Fixed Downlights

Washer Nomenclature : **GIWD-T12W-1S1A-930-0**

Series	Wallwash	Mounting	Nominal Length ¹	Body Finish	Fixed Downlight/ft	Beam Angle	Voltage	Dimming	CRI	Color Temp	Emergency
GIW	D Double Wallwash	R Recessed with Trim	06 06"	W Textured White	0 None	S Narrow 10°	1 120V	A Non- Dim	9 +90	27 2700K	0 No
	O One Wallwash	T Recessed Trimless	12 12"	B Textured Black	1 1	M Medium 24°	U Universal 120-277V	B 0-10V to 1%		30 3000K	9 90 mins
	E Empty Profile		24 24"	G Silver 9006		F Flood 36°		D DALI to 1%		35 3500K	
			36 36"	X Custom RAL				E ELV		40 4000K	
			48 48"					G² LUTRON			
		60 60"									

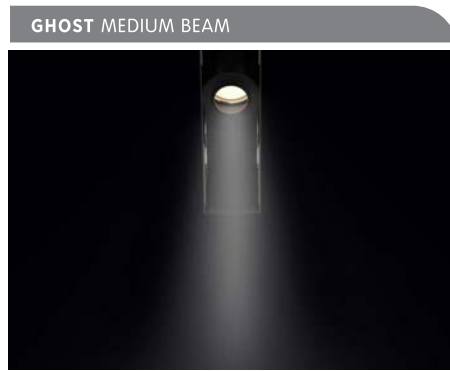
Notes:
¹ For exact lengths refer to dimensions table.
² Hi-lume 1% EcoSystem Soft-on, Fade-to-Black dimming.

Consult factory for lead-times.
 Consult factory for systems using multiple optics and mounting configurations.

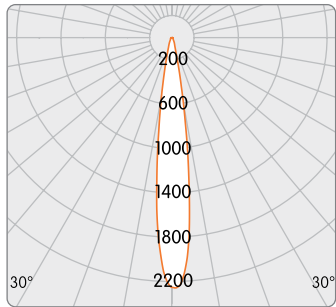


OPTICAL FLEXIBILITY

Photometric data: Fixed Polar Curves



Narrow 10°

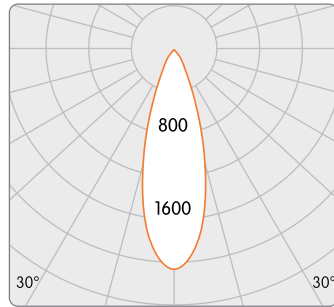


Max. 2,350 cd

1,000 lm

The narrow 10° beam is ideal for high-ceiling applications and for emphasizing texture on vertical surfaces and architectural elements.

Medium 24°

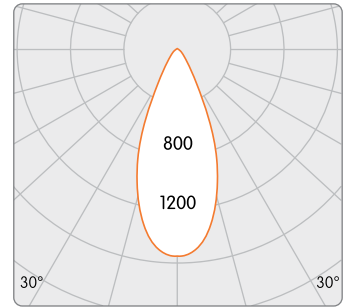


Max. 2,055 cd

870 lm

The medium 24° beam is a versatile distribution that works in a wide range of applications and spaces. This optic is a nice balance between light punch and ambient uniformity.

Flood 36°



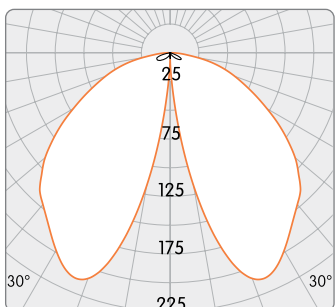
Max. 1,530 cd

870 lm

A 36° flood beam is the optimal option for achieving efficient ambient lighting with excellent uniformity and very low glare.



Double side Wallwash



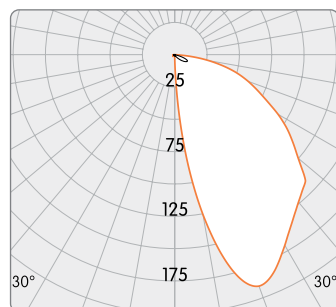
Max. 190 cd

500 lm

Ghost wallwash provides even illumination of vertical surfaces. This optic is ideal for washing large areas where exceptional uniformity is required.



One side Wallwash



Max. 190 cd

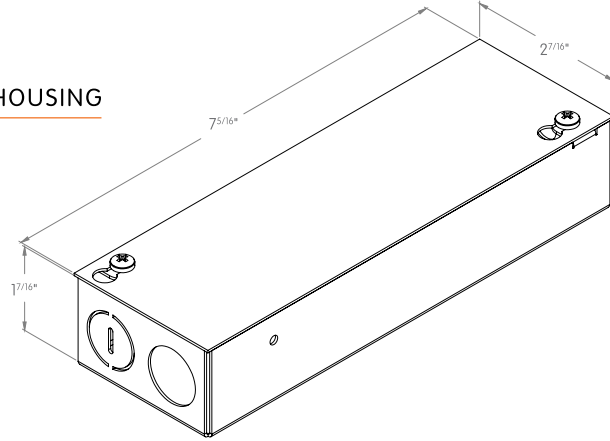
500 lm



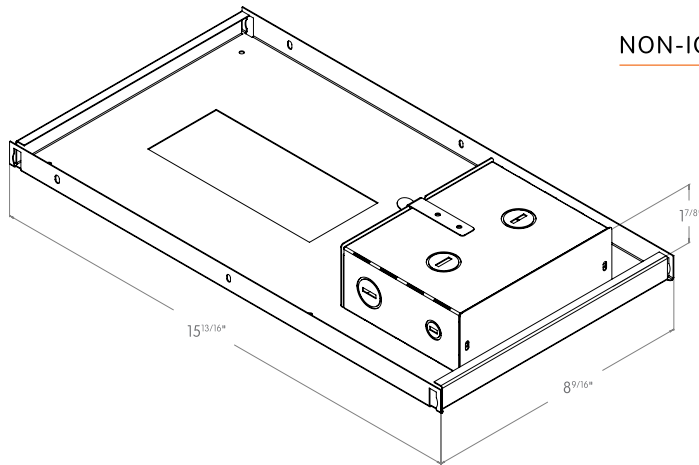
OPTICAL FLEXIBILITY

Only available for 6" fixtures

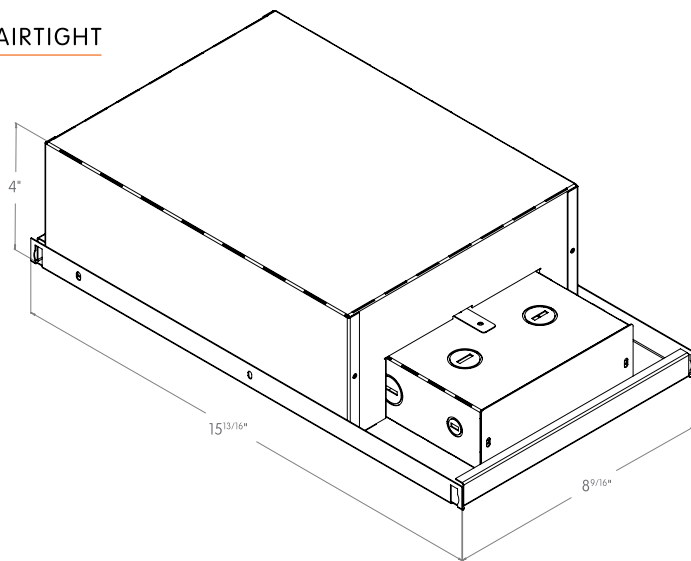
REMODEL HOUSING



NON-IC HOUSING

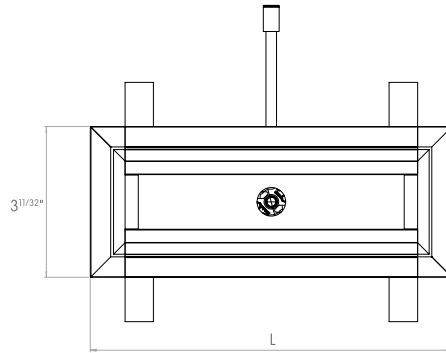


IC HOUSING & AIRTIGHT

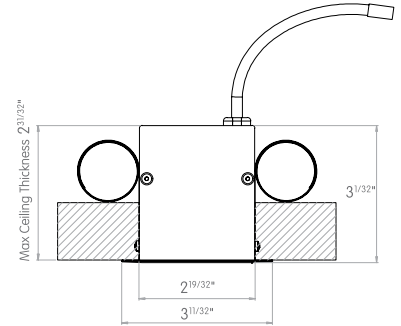


MOUNTING FLEXIBILITY

FIXED WITH TRIM

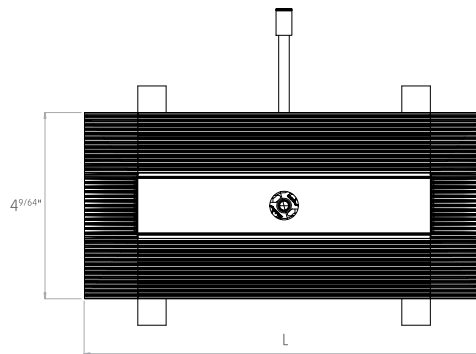


TOP VIEW

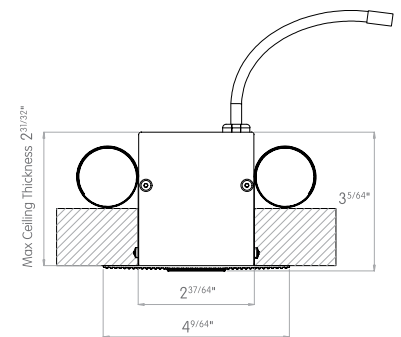


FRONT VIEW

FIXED TRIMLESS



TOP VIEW



FRONT VIEW

DIMENSIONS TABLE

	12"	24"	36"	48"	60"
	Actual Length (L)				
Trim	13 7/16"	25 5/16"	37 3/16"	49 2/16"	61
Trimless	14 4/16"	26 2/16"	38 1/16"	49 15/16"	61 13/16"



DELIVERED LUMEN OUTPUT

Output	Watts	CRI +90			
		2700K	3000K	3500K	4000K
Wallwash	8W/ft	580lm	600lm	630lm	640lm
Fixed Downlight	8W	630lm	650lm	680lm	700lm

Wallwash and Downlight Isolux

